



SN-IPR8020DQAN-Z

2MP IR Motorized Varifocal Bullet Network Camera



Key Features

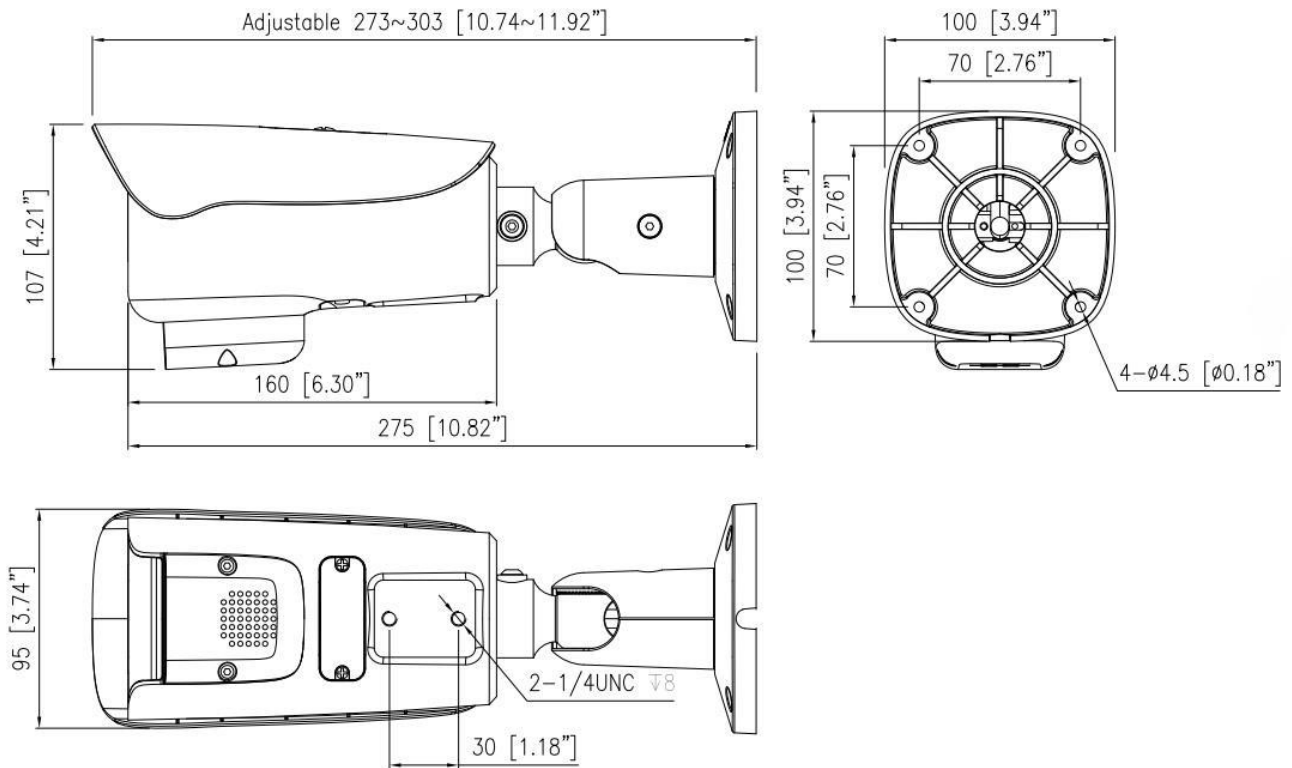
- 1/2.8" progressive scan CMOS
- Max. 1080P(1920×1080) @25/30 fps resolution
- 2.7 to 13.5 mm or 5 to 50 mm motorized lens optional
- True WDR, 3D DNR, ROI, HLC, BLC, Defog
- Support face, human, vehicle detection and capture
- Intelligent analytics: intrusion, single line crossing, double line crossing, loitering, wrong-way, people counting
- Built-in microphone and speaker
- 1/1 audio in/out, 1/1 alarm in/out
- Built-in SD card slot
- Smart IR distance up to 100 m
- IP66

Specification

Camera		
Image Sensor	1/2.8" Progressive Scan CMOS	
Max. Resolution	2MP (1920 × 1080)	
Electronic Shutter	Auto/Manual, 1/5 to 1/20,000 s	
Min. illumination	Color: 0.01 Lux @ (F1.6, AGC ON), B/W: 0 Lux @ (IR LED ON)	
Day & Night	IR cut filter	
Angle Adjustment	Pan: 0° to 360°, Tilt: 0° to 90°, Rotation: 0° to 360°	
Lens		
Lens Type	Motorized focus	
Iris	Fixed Iris	
Focal Length	2.7 to 13.5 mm	5 to 50 mm
F Number	F1.6	F2.0
Angle of View	H: 101° to 28°, V: 54° to 16°	H: 51.2° to 28°, V: 8.7° to 4.9°
DORI		
DORI Distance	2.7 to 13.5 mm: Wide: D: 48 m (157.5 ft), O: 19.2 m (63 ft), R: 9.6 m (31.5 ft), I: 4.8 m (15.7 ft) Tele: D: 152 m (498.7 ft), O: 60.8 m (199.5 ft), R: 30.4 m (99.7 ft), I: 15.2 m (49.9 ft) 5 to 50 mm: Wide: D: 88 m (288.7 ft), O: 35.2 m (115.5 ft), R: 17.6 m (57.7 ft), I: 8.8 m (28.9 ft) Tele: D: 530 m (1,738.8 ft), O: 212 m (695.5 ft), R: 106 m (347.8 ft), I: 53 m (173.9 ft)	
Illuminator		
Illuminator Type	IR	
Illumination Distance	Up to 60 m (196.9 ft)	Up to 80 m (262.5 ft)
Illumination On/Off Control	Auto/Manual	
Video		
Streaming Capability	3 Streams	
Stream/Frame Rate	Stream1: 1920 × 1080, 1280 × 720 @25/30 fps Stream2: D1, VGA, 640 × 360, CIF, QVGA @25/30 fps Stream3: VGA, CIF, QVGA @25/30 fps	
Bit Rate Control	CBR/VBR	
Bit Rate	Stream1: 200 kbps to 12 Mbps Stream2: 100 kbps to 6 Mbps Stream3: 100 kbps to 3 Mbps	
Region of Interest	Off/On (8 areas, Rectangle)	
Smart Encode	Support	
Audio		
Compression	G.711, RAW_PCM	
Bit Rate	64Kbps (G.711), 128Kbps (RAW_PCM)	
Image		
Image Adjustment	Brightness, Sharpness, Contrast, Saturation adjustable	
Aisle Mode	Support	
Mirror	Support	

White Balance	Auto/Manual
Day/Night Setting	Auto, Day, Night, Time
Smart IR	Support
Noise Reduction	2D/3D DNR
Image Enhancement	HLC, BLC, Defog
Wide Dynamic Range	True WDR
S/N Ratio	55dB
Motion Detection	Support
Privacy Masking	4 areas
Smart Function	
Multi-Object Detection	Supports face, human, vehicle detection and capture
Intelligent Analytics	Intrusion, Single line crossing, Double line crossing, Loitering, Wrong-way Support alarm triggering by specified target types (human and vehicle)
People Counting	Support
Network	
Protocols	IPv4/IPv6, 802.1x, HTTP, HTTPS, TCP/IP, UDP/IP, RTSP, DHCP, NTP, RTCP/RTP, PPPoE, SMTP, DNS, UPnP, FTP, ARP, SNMP, TLS/SSL
Interoperability	ONVIF, SDK, CGI
Streaming Method	Multicast
Max. User Access	10 Users
Web Viewer	<IE11, Chrome, Firefox, Microsoft Edge
Language	English, Chinese, Polish, Italian, Portuguese, Spanish, Russian, French, Czech, Hungarian. Default: English
Interface	
Network Interface	1 Ethernet (10/100 Base-T) RJ-45 Connector
Built-in Microphone	Support
Built-in Speaker	Support
Audio Interface	1ch Input, 1ch Output
Alarm Interface	1ch Input, 1ch Output
Reset Button	Support
SD Card Slot	Built-in, up to 256GB
Electrical	
Power Supply	DC12V (-15% to +25%)/PoE (IEEE 802.3af)
Power Consumption	Max 9.5 W
Operating Temperature	-40°C to 55°C (-40°F to 131°F)
Operating Humidity	Less than 90% RH
Ingress Protection	IP66
Certifications	CE/FCC
Casing	Metal
Dimensions	303 × 100 × 107 mm (11.92 × 3.94 × 4.21 inch)
Net Weight	1.25 kg (2.76 lb)

Dimensions (mm)



Accessories

Optional:



SN-CBK649B
Junction Box



SN-CBK627D
Pole Mount